

Features

VaCom's integrated **Lighting Control System** (LCS) provides On-Off control based on time-of-day scheduling and includes the following:

- ✓ Echelon's iLON-100 Internet Server with:
 - ▶ high performance network interface
 - ▶ built-in scheduling
 - ▶ data logging, I/O, and alarming
- ✓ Integrated or remote control contactors
- ✓ Standalone, phone or Internet access

The LCS combines all hardware and software needed to achieve lighting control that is simple, yet loaded with functionality.

All required control, remote monitoring capability and power switching devices are included with this system.

Packaged Expertise

VaCom Technologies has applied its energy management and controls expertise toward this product. Proven strategies and control methods are brought together as one simple to install, pre-wired and pre-programmed packaged solution.

Applications

- * Daylight Harvesting
- * On/Off Scheduling Control
- * Small Commercial to Large Industrial

***Ask Us About
Demand Response
Incentives***



AUTHORIZED
NETWORK
INTEGRATOR



**Energy-Efficient
Control Solutions for
Commercial & Industrial
Facilities**

- * Internet Enabled
- * Reduce Peak Demand
- * Lower Energy Costs
- * Smart Investment

Gain Control Today

Quality Hardware

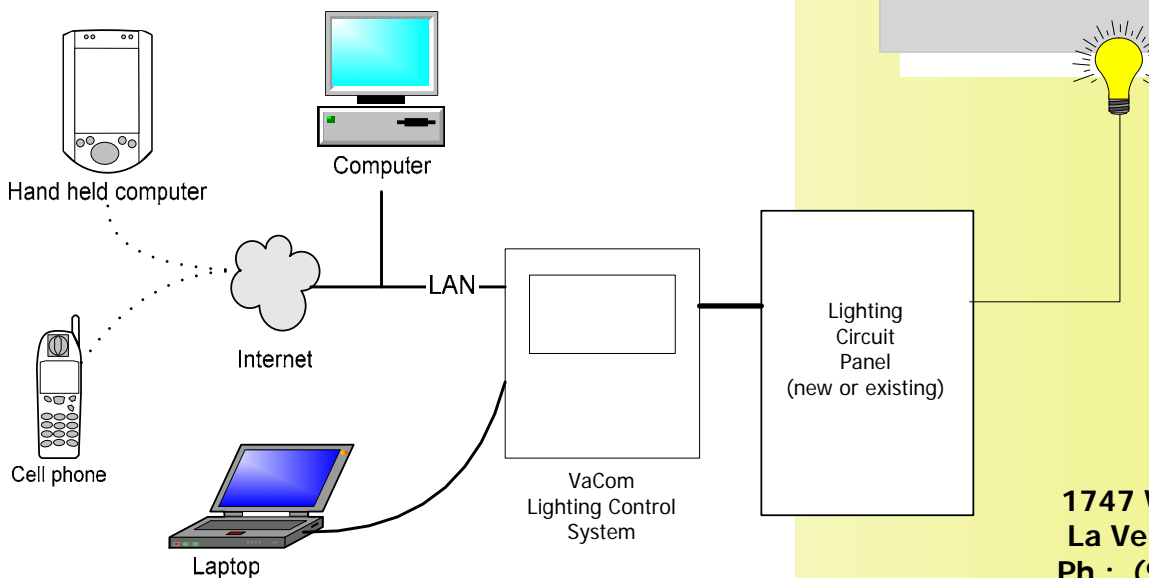
- ✓ Echelon LonWorks® Controls
 - ▶ .iLON-100 Internet Server
 - ▶ ANSI/EIA standard
 - ▶ Open/Interoperable protocol
 - ▶ Distributed controls
- ✓ Choice of lighting contactor types
- ✓ Pilot lights for each zone/stage
- ✓ Emergency override (HOA) switches
- ✓ 2, 4 or more stop/start schedules
- ✓ UL Listed control panel

Additional Options

- ✓ Operator interface terminal (OIT)
- ✓ LonWorks® distributed sensors:
 - ▶ light level
 - ▶ occupancy
- ✓ Remote contactor panels
- ✓ Integration with existing EMS or PLC/HMI
- ✓ Power Monitoring
- ✓ Installation and start-up assistance

Demand Responsive

The LCS offers demand responsive capabilities which can qualify for new utility incentive programs. We can also integrate other mechanical and electrical systems for maximum demand response capabilities.

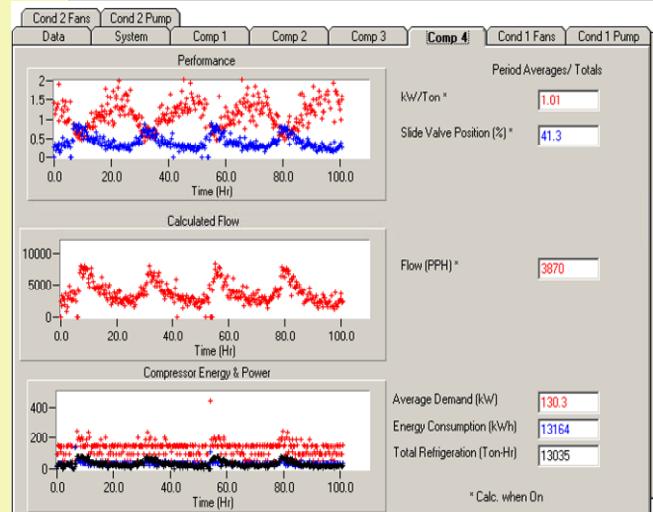


EnergyDashboard™ for Lasting Energy Savings

VaCom's web-based energy and performance monitoring service for mechanical, electrical, and lighting systems will help ensure optimum performance is maintained over your system's life.

- ▶ Track energy system efficiency
- ▶ Benchmark performance and plant production metrics
- ▶ "Drill-down" and aggregation views
- ▶ Display real-time results
- ▶ And much more

What gets measured gets better!



1747 Wright Avenue
La Verne, CA 91750
Ph.: (909) 392-6704
Fax: (909) 392-6735

www.vacomtech.com